

Part number

CZV 15 L



Brief description:

hoods for single lever, size "49.16", top entry, Pg13.5, metal version, IP66

Product description

| | |
|--------------|-----------------------------|
| Version | CZ levers, standard version |
| Series | Hoods with 2 pegs |
| Product type | with 2 pegs |
| Variant | top entry |
| Family | CZ - MZ enclosures |
| Size | size "49.16" |

Technical data

| | |
|--|--------------------------------|
| Operating temperature range (min, max) | -40°C ... +125°C |
| Material | metal |
| IP degree of protection | IP66 (and IP69K DIN 40050 - 9) |
| Cable entry | Pg13.5 |

Further technical details

| | |
|--------|---------|
| Weight | 80,00 g |
|--------|---------|

Approvals / Standards

| | |
|--------------|---|
| Quality mark |  (type:4/4X/12),  , EAC |
| Conformity | CQC, CE |

General ordering information

| | |
|---------------|---------------|
| EAN13 code | 8015747044882 |
| Tariff number | 85369095 |

Packaging Information

| | |
|---------------------------|----------------------|
| Packaging length | 140,00 mm |
| Packaging height | 130,00 mm |
| Packaging width | 225,00 mm |
| Packaging weight | 1,90 kg |
| Packaging volume | 4,10 dm ³ |
| Packaging description | Carton box |
| Packaging quantity | 20 Pcs |
| Packaging EAN code | 8015747207478 |
| Sub-packaging weight | 0,48 kg |
| Sub-packaging description | Plastic packaging |
| Sub-packaging quantity | 5 Pcs |
| Sub-packaging EAN barcode | 8015747191920 |

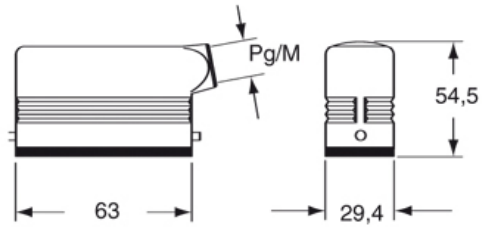
Part number

CZV 15 L

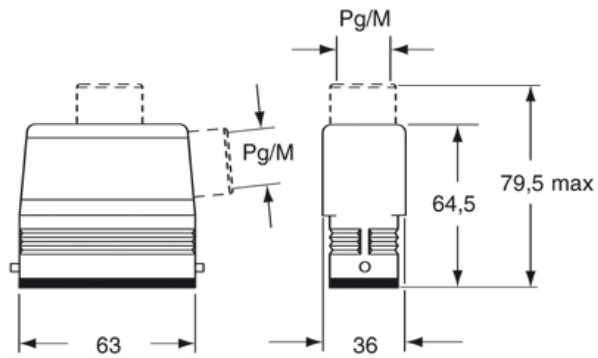


Catalogue drawings

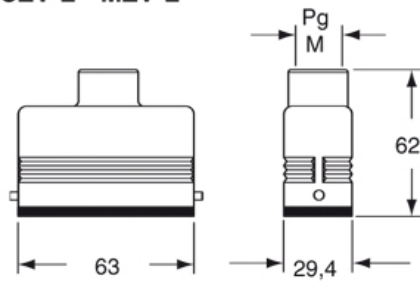
CZO L - MZO L



CZAO L - MZAO L / CZAV L - MZAV L



CZV L - MZV L



CZFO L - MZFO L / CZFV L - MZFV L

